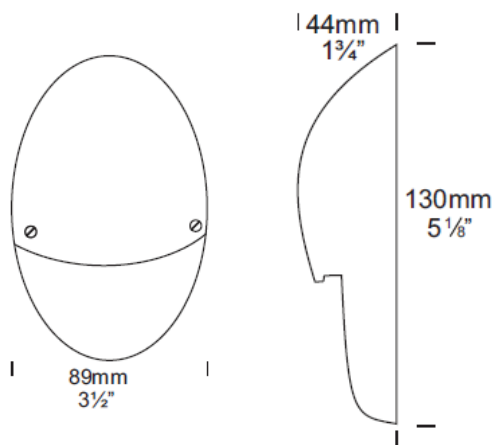


Mouse Lite PURE LED

Cat. NO MOUSE/L



PURE LED
Pure Performance



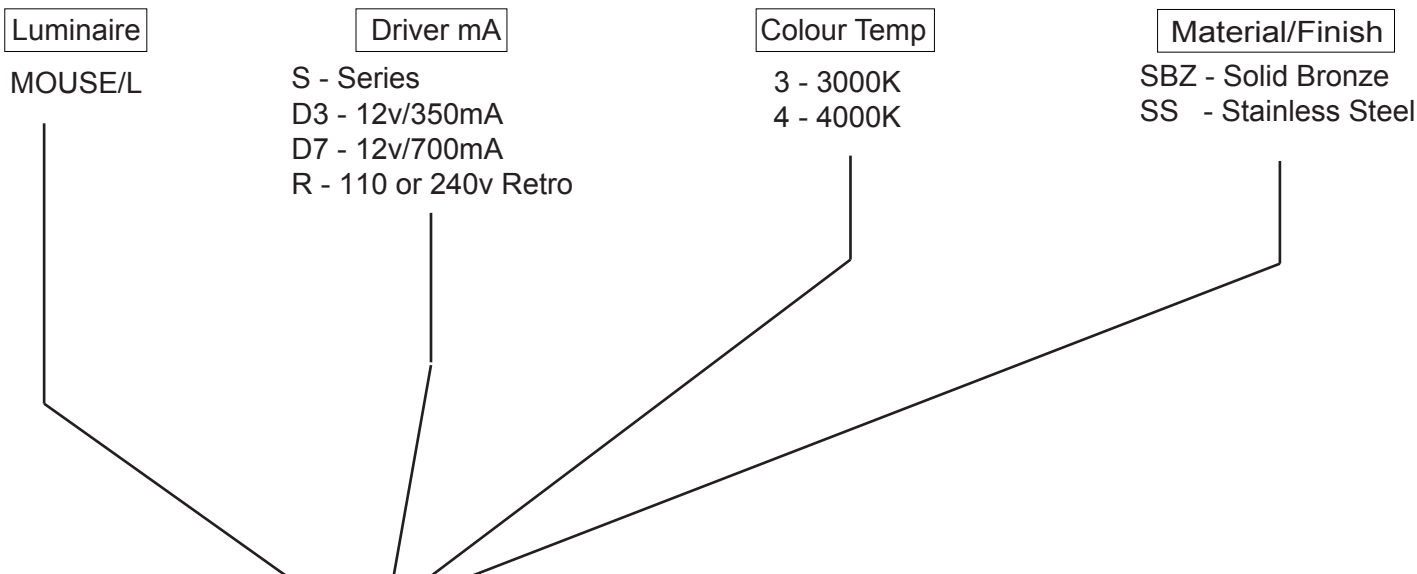
The Mouse Lite PURE LED is a solid bronze or solid 316 stainless steel luminaire designed for vertical surface mounting in gardens and landscapes. The shape is pleasing to the eye and blends unobtrusively into any environment. A space in the wall behind the luminaire is not required for cable connection due to the design which includes a cable joint cavity. There is no light directed upward or forward into the eye.

The Hunza PURE LED system uses the latest Cree XTE LED chips for maximum performance and long life. Power supply options include a choice of integral 12 or 120/240 volt (Retro) drivers or an external remote (series connection) driver. The PURE LED system incorporates an innovative Plug-and-Play system for easy replacement or upgrade of the LED engine.

*At 350mA this fitting is the equivalent of a 25w halogen fitting.

*At 700mA this fitting is the equivalent of a 35w halogen fitting.

Ordering Information



Ordering Example: MOUSE/L S 3 SS

HUNZATM
PURE
OUTDOOR
LIGHTING

HUNZA FACTORY
130 Felton Mathew Ave
Saint Johns
Auckland 1072
New Zealand

Ph: 64-9-528 9471
Fax: 64-9-528 9361
hunza@hunza.co.nz
www.hunza.co.nz

INTERNATIONAL CONTACTS:
www.hunza.co.nz/contacts.php

Specifications may change without notice.
Manufactured in New Zealand.
© 2014 Hunza Holdings Ltd.

Luminaire Construction

CNC finished machined from one of the following metals:

Investment cast in solid bronze with forge mounting plate.

Investment cast in 316 stainless steel with investment cast 316 stainless steel mounting plate.

Luminaire Weight

SBZ .820kg (1lb 12oz)

SS .750kg (1lb 10oz)

Features

Lens

2mm (3/32") frosted tempered shatter resistant glass.

Lifetime Warranty.

Gasket

Nytrol 150°C (302°F)

Mounting

Mount using a mounting plate fixed to the wall, etc. with 316 stainless screws. The luminaire is then fitted to the back plate using two pan head screws.

Technical Information

Standards

IP66 UL 1838

LED

Cree XTE Plug-and-Play, field replaceable LED board.

Lumen Output: 120 @ 700mA

Lumens Per watt: 60 minimum

CRI Warm White (3000k): 85+
Colour Temp: 3,000 or 4,000K

Power Supply

External (Series) Driver

Constant current driver

Output: 3vdc at 700mA maximum

Integral 12 Volt Driver

Buckbullet Driver:

Input: 12vac 3watt at 700mA

Output: 3vdc nominal, 350mA or 700mA

Transformer

Hunza wall Mount Transformer for use with integral 12 volt driver

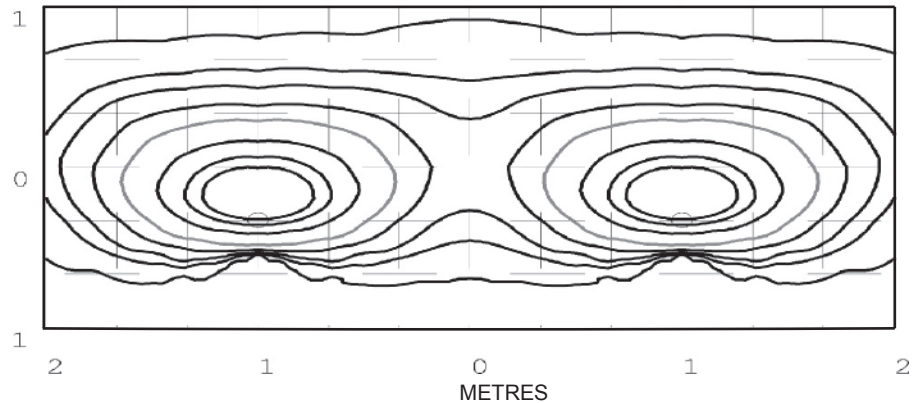
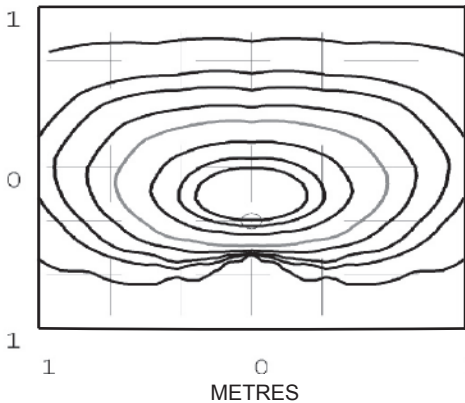
Retro 110/240 volt Driver

HUNZA Plug and Play Driver

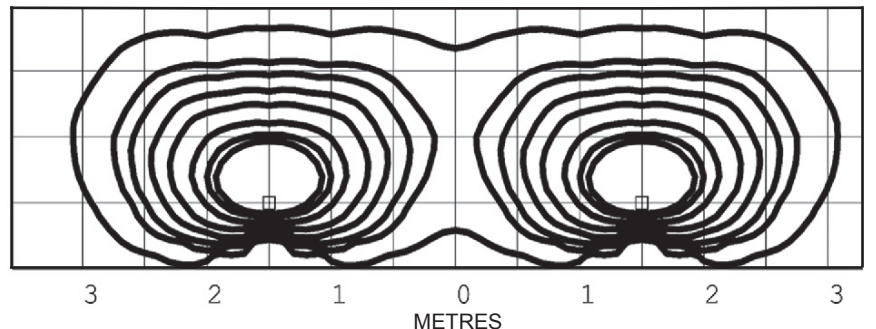
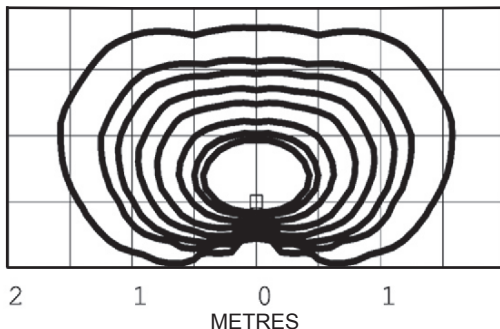
Input: 120/240 vac 7 watt

Output: 6 dc 700mA

Mouse Lite PURE LED driven at 350mA - Lens height 400mm (15¾")



Mouse Lite PURE LED driven at 700mA - Lens height 400mm (15¾")



HUNZA™ PURE
OUTDOOR
LIGHTING

HUNZA FACTORY
130 Felton Mathew Ave
Saint Johns
Auckland 1072
New Zealand

Ph: 64-9-528 9471
Fax: 64-9-528 9361
hunza@hunza.co.nz
www.hunza.co.nz

INTERNATIONAL CONTACTS:
www.hunza.co.nz/contacts.php

Specifications may change without notice.
Manufactured in New Zealand.
© 2014 Hunza Holdings Ltd.