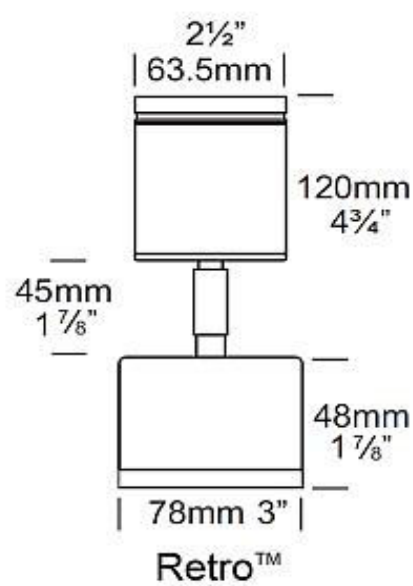
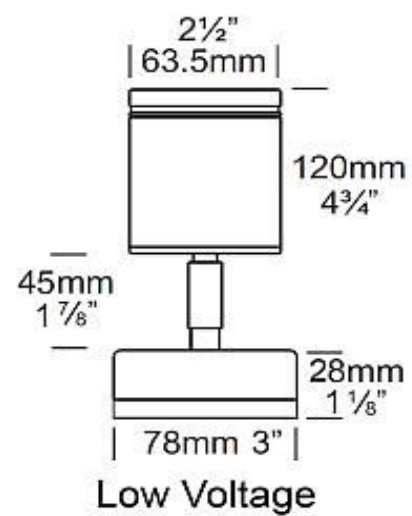


# Wall Spot PURE LED

Cat. No. WS/L



PURE LED  
Pure Performance



## UK & European Specification

The Wall Spot Pure LED has been designed to be mounted on walls and provide directional light for pathways and structural elements of a building. This luminaire has a fully adjustable head allowing 360 degree rotation and 0 - 90 degree elevation.

This luminaire is machined from a choice of 10mm solid aluminium with a UV stable powder coated finish, solid copper or 316 stainless steel with a clear, tempered, flush glass lens and high temperature silicon gaskets.

The Hunza PURE LED system uses Cree MTG-2 chips for maximum performance and long life. Power supply options include a choice of integral 12 or 110/240 volt (Retro) drivers. There is also an external remote (series connection) driver option. The PURE LED system incorporates Hunza's Plug-and-Play system for easy replacement of either the LED engine or integral driver in the field. Four beam angles, and a choice of a Warm or Cool White colour temperatures are available.

\*At 700mA this fitting is the equivalent of a 35w halogen fitting.  
\*At 1050mA this fitting is the equivalent of a 50w halogen fitting.

## Ordering Information

Luminaire	Driver mA	Beam Angle	Colour Temp	Material/Finish
WS/L	S - Series	15 - 15° TIR Lens	2 - 2700K	BK - Black
	D7 - 12v 700mA	25 - 25° TIR Lens	3 - 3000K	BZ - Bronze
	D10 - 12v 1050mA	38 - 38° TIR Lens	4 - 4000K	GRN - Green
	RE - 240v Retro	60 - 60° TIR Lens		STAR - Silver Star
	RU - 110v Retro			WH - White
			<b>Accessories</b>	WB - White Birch
			CJK150 - Cable Joint Kit	DG - Dark Grey
			STEPF - Frosted Lens	OG - Olive Green
			GG - Glare Guard	RG - Beige
			HCL - Hex Cell Louvre	PR - Primrose
			WBAP - Wall Box Adaptor	COP - Copper
				SS - 316 Stainless

Example: **WS/L S 15 2 CJK150 BK**

**Luminaire Construction**

**CNC machined from the following metal:**

**Body:** High corrosion resistant low copper 63.5mm (2½") x 10mm (25/64") aluminium.

**End cap:** solid aluminium 63.5mm (2½") rod.

**Base & Mounting Plate (Retro™):** Cast from virgin high corrosion resistant CC401 low copper aluminium alloy chromate substrate and high UV resistant polyester powder coat - Black, Bronze, Green, Silver Star, White, Birch, Dark Grey, Olive Green, Beige, Primrose.

**Body:** Copper 63.5mm (2½") x 10mm (25/64). End cap - solid copper 63.5mm (2½") rod.

**Base:** Copper Hand spun 2mm (5/64").

**Mounting Plate:** Forged brass (Retro™).

**Body:** 316 Stainless Steel 63.5mm (2½") x 10mm (25/64) rod. End cap - 316 stainless steel 63.5mm (2½") rod.

**Base:** Investment cast and CNC machined. Mounting Plate: Investment cast and CNC machined (Retro™)

**Luminaire Weight**

12 volt Alum .495kg (1lb 1oz)  
 COP 1.300kg (2lb 13oz)  
 SS 1.080kg (2lb 6oz)

Retro™ Alum .900kg (1lb 15oz)  
 COP 1.710kg (3lb 12oz)  
 SS 1.500kg (3lb 4oz)

**Features**

**Lens:**  
 10mm (3/8") extra clear low iron flush fit shatter resistant glass.  
 Lifetime Warranty.

**Gasket:** Silicone, iron impregnated 220°C (428°F)

**Accessories:**  
 Cable Joint Kit (Cat CJK150)  
 Frosted Lens (Cat. LENSSTEPF)  
 Glare Guard (Cat. GG)  
 Hex Cell Louvre Adaptor (Cat. HCL)  
 Wall Box Adaptor (Cat. WBAP)

**Swivel:**  
 Aluminium and Copper luminaires: 360° rotation and 0 - 90° elevation, solid brass with anti rust spring.  
 Stainless Steel luminaires - 360° rotation and 0 - 90° elevation, all stainless steel construction.

**Mounting:**  
 12 volt: the luminaire is mounted to the wall using two 316 stainless screws through a shallow base 16mm (5/8") in depth.

Retro™ luminaire (110/240-12volt): a mounting plate is fixed to the wall using two screws and the luminaire is fitted to the mounting plate.

**Technical Information**

**Standards**  
 AS/NZS61046  
 IP66 UL1838

**LED**  
 Cree MTG-2 Plug and Play, field replaceable LED board.

**Lumen Output:** 600 at 1050mA  
**Lumens Per watt:** 100 at 6 watts  
**CRI Warm White (3000k):** 85+  
**Colour Temp:** 2700K, 3000K and 4000K

**Power Supply**

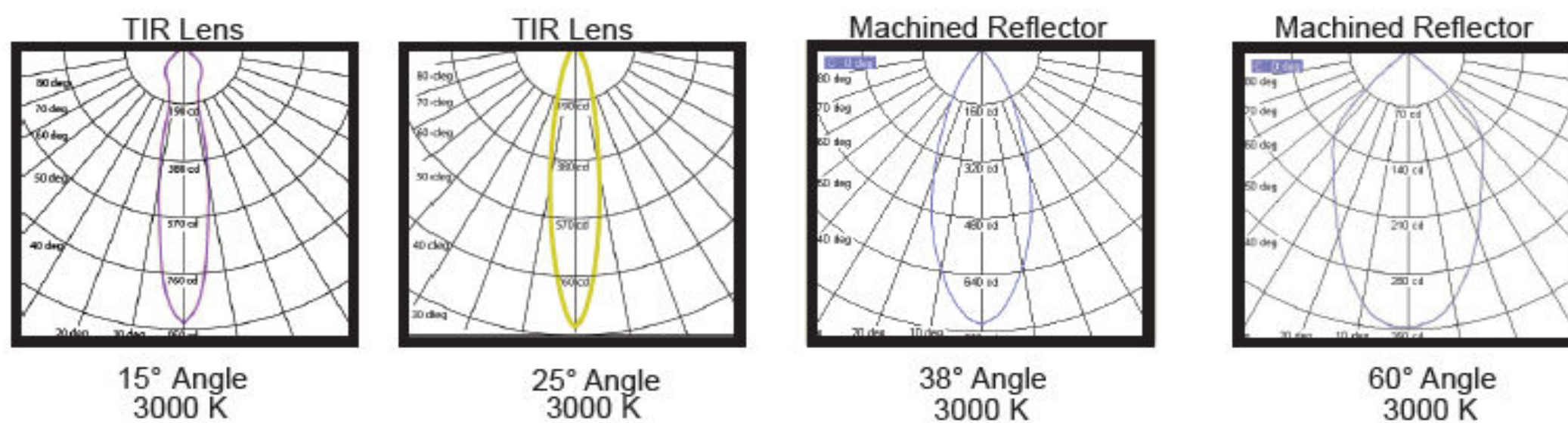
**Series (External) Driver**  
 Constant current driver  
 Output: 6vdc at 1050mA maximum

**Integral 12 Volt Driver**  
 Hunza™ Plug and Play Driver  
 Input: 12vac, 7 watt total  
 Output: 6vdc nominal, 350 / 700 / 1050mA

**Transformer**  
 Hunza™ Wall Mount Transformer for use with integral 12 volt driver

**Retro 110/240 Volt Driver**  
 Hunza™ Retro Driver  
 Input: 120/240vac, 5 watt total  
 Output: 6vdc, 700mA  
 0-10 volt dimming

**Reflector Beam Angles**



<p><b>HUNZA™</b> PURE OUTDOOR LIGHTING</p>	<p>HUNZA FACTORY          130 Felton Mathew Ave          Saint Johns          Auckland 1072          New Zealand</p>	<p>Ph: 64-9-528 9471          Fax: 64-9-528 9361          hunza@hunza.co.nz          www.hunza.co.nz</p>	<p>INTERNATIONAL CONTACTS:  <a href="http://www.hunza.co.nz/contacts.php">www.hunza.co.nz/contacts.php</a></p> <p>Specifications may change without notice.          Manufactured in New Zealand.          © 2014 Hunza Holdings Ltd.</p>
--	--	--	---