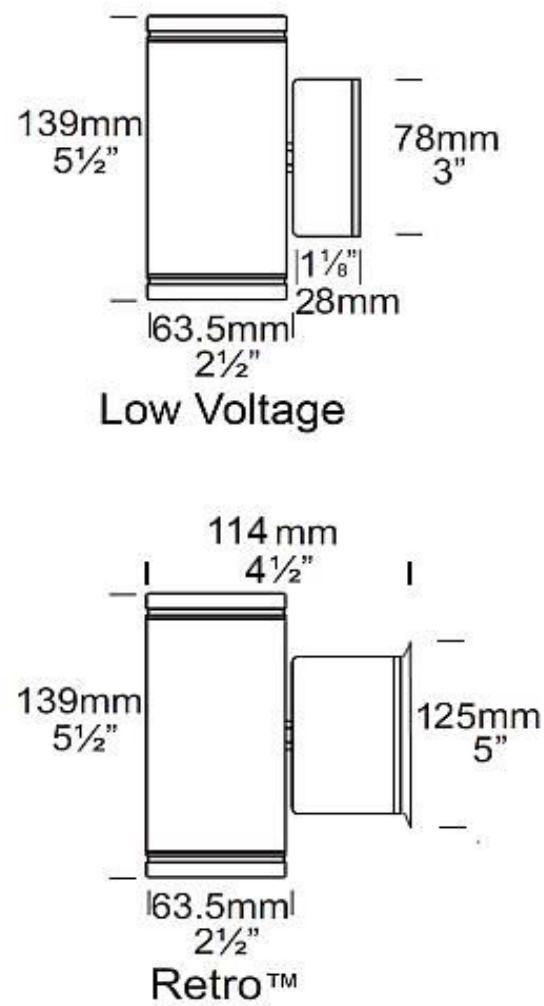


# Pillar Lite PURE LED

Cat. No. PIL/L



**PURE LED**  
Pure Performance



## UK & European Specification

The Pillar Lite PURE LED illuminates both upwards and downwards, giving columns, gateway pillars and entrances a dramatic effect. The Retro™ is a 110-240 volts 12ac mains option suited for installation where a mounting transformer is a problem, e.g. a brick wall where there is only the cable protruding out of the wall and it is not an option to recess the transformer or when replacing an existing light fitting. The base increases in size to accommodate the encapsulated IP66 dimmable transformer.

This luminaire is machined from a choice of 10mm solid aluminium with a UV stable powder coat, natural copper or 316 stainless steel. It features an extra clear, low iron tempered flush lens and high temperature silicon gaskets.

The Hunza PURE LED system uses Cree MTG-2 chips for maximum performance and long life. Power supply options include a choice of integral 12 or 120/240 volt (Retro) drivers. There is an external remote (series connection) driver option also. The PURE LED system incorporates Hunza's Plug-and-Play system for easy replacement of the LED engine or integral driver in the field. Four beam angles, and a choice of a Warm or Cool White colour temperatures are available.

- \* At 700mA this fitting is the equivalent of a 35w halogen fitting.
- \* At 1050mA this fitting is the equivalent of a 50w halogen fitting.

## Ordering Information

Luminaire	Driver mA	Beam Angle	Colour Temp	Material/Finish
PIL/L	S - Series	15 - 15° TIR Lens	2 - 2700K	BK - Black
	D7 - 12v 700mA	25 - 25° TIR Lens	3 - 3000K	BZ - Bronze
	D10 - 12v 1000mA	38 - 38° TIR Lens	4 - 4000K	GN - Green
	RE - 240v Retro	60 - 60° TIR Lens		STAR - Silver Star
	RU - 110v Retro			WH - White
				WB - Birch
				DG - Dark Grey
				OG - Olive Green
				RG - Beige
				PR - Primrose
				Cop - Copper
				SS - 316 Stainless

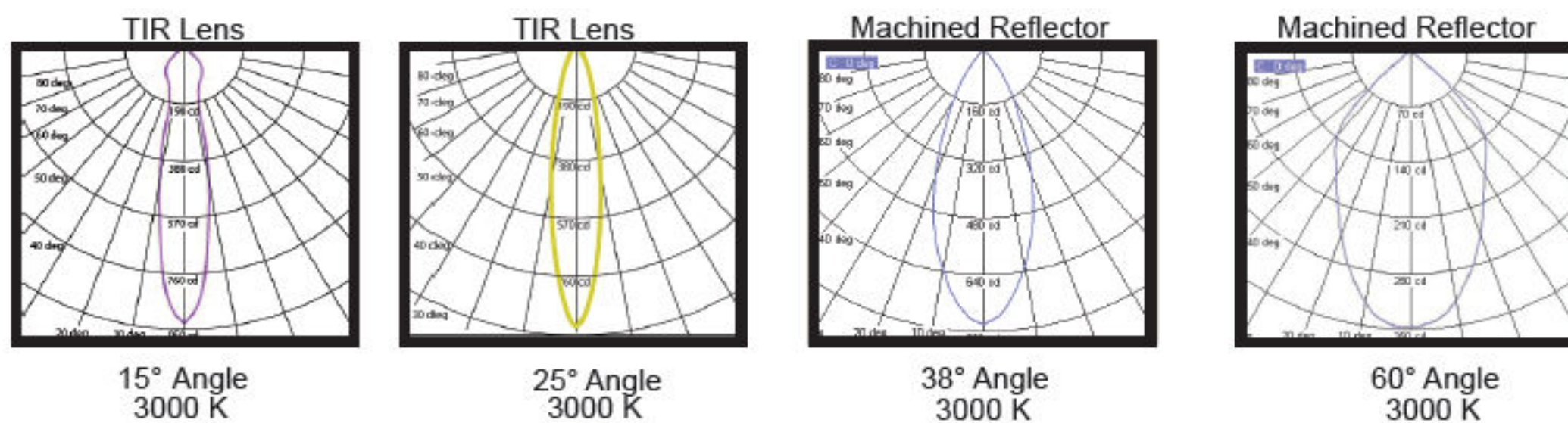
Example: **PIL/L S 15 2 GG BK**

Luminaire Construction
<b>CNC machined from the following metal:</b>
<b>Body:</b> High corrosion resistant 63.5mm (2½") x 10mm (25/64") aluminium.
<b>Base and Mounting Plate:</b> Cast from virgin high corrosion resistant CC401 low copper aluminium alloy chromate substrate and high UV resistant polyester powder coat colours Black, Bronze, Green, Silver Star, White, Birch, Dark Grey, Olive Green, Beige, Primrose.
<b>Body:</b> Copper 63.5mm (2½") x 10mm (25/64").
<b>Base:</b> Copper hand spun 2mm (5/64").
<b>Mounting Plate:</b> Forged brass (Retro™).
<b>Body:</b> 316 Stainless steel 63.5mm (2½") x 9mm (11/32") rod.
<b>Base:</b> Investment cast and CNC Machined (Retro™).
<b>Mounting Plate:</b> Investment cast and CNC machined.
<b>Luminaire Weight</b>
12 volt Alum .775kg (1lb 11oz) COP 2.230kg (4lb 14oz) SS 1.750kg (3lb 13oz)
Retro™ Alum 1.100kg (2lb 6oz) COP 2.650kg (5lb 13oz) SS 2.200kg (4lb 13oz)

Features
<b>Lens:</b> 10mm (3/8") extra clear low iron flush fit shatter resistant glass. Lifetime Warranty.
<b>Gasket:</b> Silicone, iron impregnated 220°C (428°F)
<b>Accessories:</b> Cable Joint Kit (Cat. CJK150) Frosted Lens (Cat. STEPF) Wall Box Adaptor (Cat. WB) Glare Guard (Cat. GG) Hex Cell Louvre (Cat. HCL)
<b>Mounting:</b> The luminaire is mounted to the wall using two 316 stainless screws through a shallow base 16mm (5/8") in depth.
Retro™ luminaire (110/240volt): A mounting plate is fixed to the wall using two screws and the luminaire is fitted to the mounting plate.

Technical Information
<b>Standards</b> AS/NZS61046 IP66 UL1838
<b>LED (per head)</b> Cree MTG-2 Plug and Play, field replaceable LED board.
<b>Lumen Output:</b> 600 at 1050mA
<b>Lumens Per watt:</b> 100 at 6 watts
<b>CRI Warm White (3000k):</b> 85+
<b>Colour Temp:</b> 2700K, 3000K and 4000K
<b>Power Supply</b>
<b>Series (External) Driver (per head)</b> Constant current driver Output: 6vdc at 1050mA maximum
<b>Integral 12 Volt Driver</b> Hunza™ Plug and Play Driver Input: 12vac, 7 watt total Output: 6vdc nominal, 350 / 700 / 1050mA
<b>Transformer</b> Hunza™ Wall Mount Transformer for use with integral 12 volt driver
<b>Retro 110/240 Volt Driver</b> Hunza™ Retro Driver Input: 120/240vac, 5 watt total Output: 6vdc, 700mA 0-10 volt dimming

### Reflector Beam Angles



	<p>PURE OUTDOOR LIGHTING</p>	<p>HUNZA FACTORY 130 Felton Mathew Ave Saint Johns Auckland 1072 New Zealand</p>	<p>Ph: 64-9-528 9471 Fax: 64-9-528 9361 hunza@hunza.co.nz www.hunza.co.nz</p>	<p>INTERNATIONAL CONTACTS: www.hunza.co.nz/contacts.php</p>
	<p>Specifications may change without notice. Manufactured in New Zealand. © 2014 Hunza Holdings Ltd.</p>			