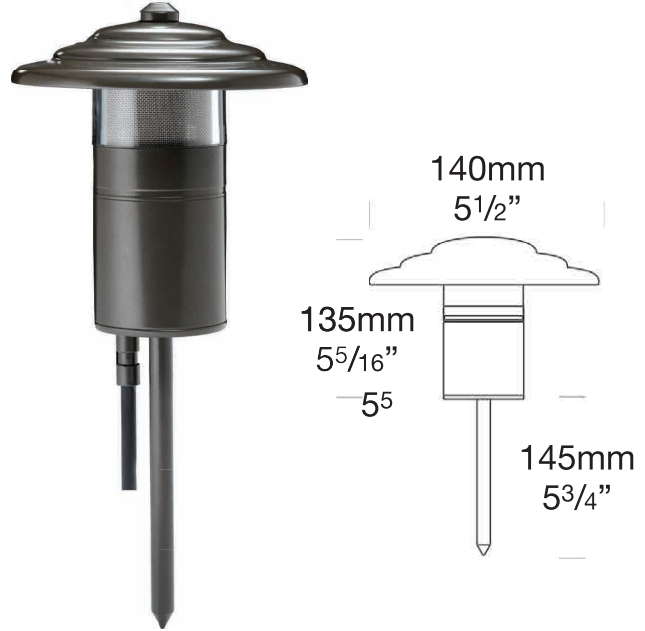


PROJECT:
TYPE:
SOURCE:
NOTES:

PURELED SPECIFICATIONS

LED Chip	Cree XHP-50-2 Plug and Play field replaceable LED board
Luminaire Output	510 Lumens @ 1050mA (6 watts), 340 Lumens @ 700mA (4 watts), 160 Lumens @ 350mA (2 watts), delivered from luminaire with unobstructed beam.
Lumens Per Watt	85 Lumens minimum @ 6 watts, delivered from luminaire with unobstructed beam
CRI (3000K)	90+
Colour Temperatures	2700K, 3000K, 4000K
Beam Angles	360 degrees
Ingress Protection	IP66
Warranty	Electronics = 5 years Body Cop/ SS = 10 years Body Aluminium = 5 years
Standards	AS/NZS 61046 cUL 1838, 2108 CSA C22.2 No.250.7, No.250.0-08 CE



PRODUCT CONFIGURATION

Please fill in appropriate codes into boxes provided

Cat. No. FN/L

Luminaire	Power	Material/ Finish	Beam	Colour	Accessories
<input type="text" value="FN/L"/>	<input type="text"/>	<input type="text"/>	<input type="text"/>	<input type="text"/>	<input type="text"/>
S SERIES, REMOTE DRIVER D3 12VAC, 2W INTEGRAL D7 12VAC, 4W INTEGRAL D10 12VAC, 6W INTEGRAL		ALUMINIUM EBK BLACK EBZ BRONZE EOGR OLIVE GREEN EWH WHITE EWB WHITE BIRCH EDG DARK GREY ESTAR SILVER STAR ECT CORTEN COP SOLID COPPER SS STAINLESS STEEL	360 360°	2 2700K 3 3000K 4 4000K	CJK CABLE JOINT KIT 300 300mm SPIKE (12") BOLOP OPAQUE LENS
SERIES, REMOTE DRIVER REQUIRED: Constant current driver Individual fixtures require 6vdc @ 1050mA maximum 12VAC INTEGRAL DRIVER: Hunza integrated plug and play driver (included) Input: 9-15VAC, 7 watt total Output: 6vdc @ D3=350mA, D7=700mA, D10=1050mA (1050mA limited to ≤ 40°C (104°F) ambient temperature in stainless steel)					
OTHER LAMP OPTIONS: FN/H - G4 Halogen 12V Lamp FN/GL - G4 LED Retrofit 12V Lamp (lamps vary by market - please refer to supplier for details)					

[Click here for halogen specification sheet](#)

[Click here for Remote Power Supply Guidance Charts](#)

LUMINAIRE CONSTRUCTION

CNC machined from one of the following metals:

Aluminium:

Body: Solid high corrosion resistant 63.5mm (2½") x 10mm (3/8") aluminium.
 End cap: solid aluminium 63.5mm (2½") rod, with chromate substrate and high UV resistant polyester powder coat.
 Spike: 11.11mm (7/16") aluminium rod.
 Hood: 140mm (5½") x 1.2 (1/16") hand spun aluminium.
 Colours:
 Black, Bronze, Silver Star, White, White Birch, Olive Green, Dark Grey, Corten.

Copper:

Body: 63.5mm (2½") x 10mm (3/8").
 End cap: solid copper 63.5mm (2½") rod.
 Spike: 11.11mm (7/16") copper rod.
 Hood: 140mm (5½") x 1.2 (1/16") hand spun copper.

316 Stainless Steel:

Body: 63.5mm (2½") x 10mm (3/8").
 End cap: solid 316 stainless steel 63.5 (2½") rod.
 Spike: 11.11mm (7/16") 316 stainless steel rod.
 Hood: 140mm (5½") x 1.2 (1/16") 316 stainless steel.

Lens:

UV stable polycarbonate with anti-glare mesh.

Anti-glare Hood:

140mm (5½") x 1.2 (1/16") handspun aluminium, copper or stainless steel. No upward light or glare projected.

Gaskets:

Silicone, iron impregnated 220°C (428°F)

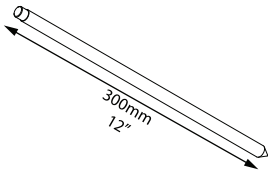
Mounting:

Ground spike 150mm (6") or 300mm (12") directly into the earth.

Luminaire Weight:

Alum: 0.750kg (1lb 10oz)
 Cop: 1.160kg (2lb 9oz)
 SS: 1.400kg (3lb 1oz)

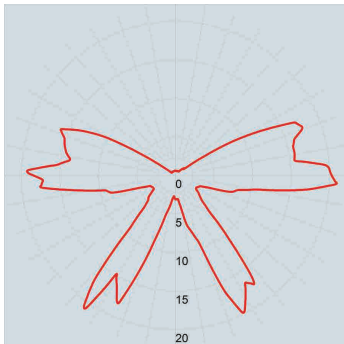
ACCESSORIES



300mm (12") Spike

BEAM ANGLES

IES files available for download: hunzalighting.com/downloads

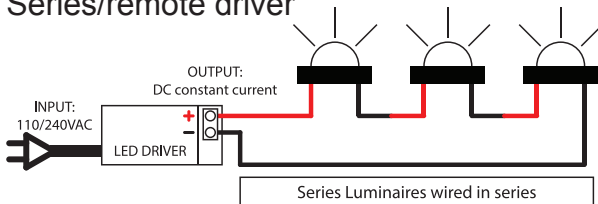


Polycarbonate lens

WIRING GUIDE

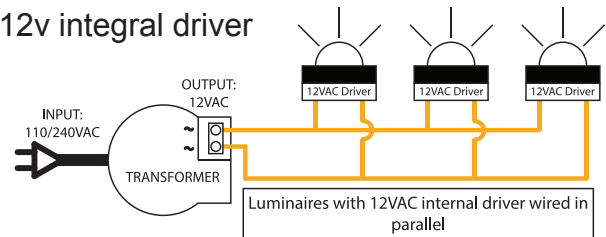
Available for download: hunzalighting.com/downloads

Series/remote driver



Diagrams are a guide only, wire colours and polarity may change depending on fixture and country

12v integral driver



Specifications may change without notification

Aug 2017